

No.	201935X-0
Issuer's name	OMB Saleri S.p.A.
Issuer' address	Via Rose di Sotto – 38/c – 25126 – Brescia - Italy

Object of the declaration

Ball valve with excess flow device (GS) and thermal shut off device (TAE) – type 356 (with GS and TAE) - **type 357** (with GS) - **type 358** (with TAE) - **type 359** (without GS and TAE) -

The undersigned OMB Saleri S.p.A. DECLARES under its own responsibility that the product in the object of the declaration, is manufactured in a workmanlike manner, in compliance and approved according to the requirements of the following documents:

Documents No.	Title	Edition/ Date of issue
DG-4341BN3879	DVGW type examination certificate	(see certificate)
16/074/4341/236	DVGW laboratory test report	14/02/2017
CE-0085CT0147 CE-0085CT0148	DVGW EC conformity certificates	07/05/2018
EN 331:2016	Manually operated ball valves and closed bottom taper plug valves for gas installations for buildings	January 2016
DIN 3586:2003	Thermally activated shutting-off devices for gas.	October 2003
DIN 3387-1:2008	Separable unthreaded pipe connections for metal gas pipes –Part 1: Connections for pipes with smooth ends	November 2008
DVGW VP 305-1:2007	Gasstromungswachter fur die Gasinstallation	December 2007
EU/2016/426 A III B	Regulation on appliances burning gaseous fuels and repealing Directive 2009/142/EC	March 2016

PERFORMANCE:

Application field	Fuel gases, according to G260
Nominal pressure rating	MOP 0.1 (for type 356 and 357) / MOP 5 (for type 358 and 359)
Temperature application field	-20 ÷ +60° C
Excess flow valve type	GS 1.6 – type K (for type 356 and 357)
Excess flow valve operating pressure range	From 15 mbar to 100 mbar (for type 356 and 357)
Thermal shut-off device response	+95° C ±5° C (for type 356 and 358)
High temperature resistance	Up to 650° C for 30 minutes (for type 356 and 358)
Connections	Available threads for input/outlet: R1/2" – Rp1/2" – G1/2"
Tightness test frequency	100%

Signed for and on behalf of:

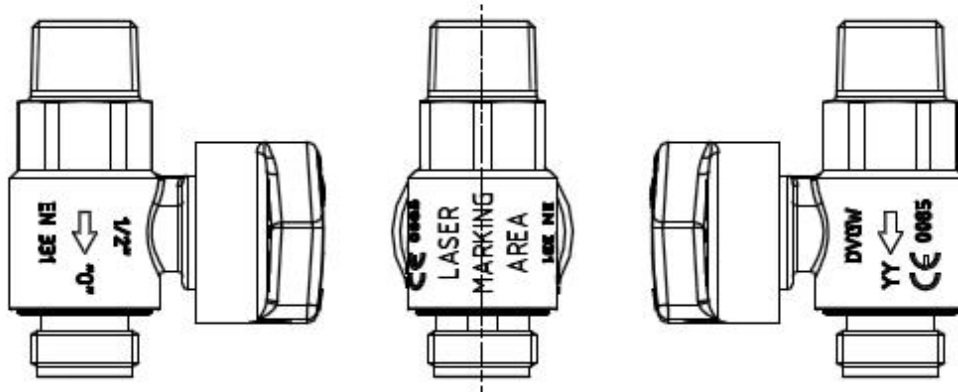
(Name, function)

(Place and date of issue)

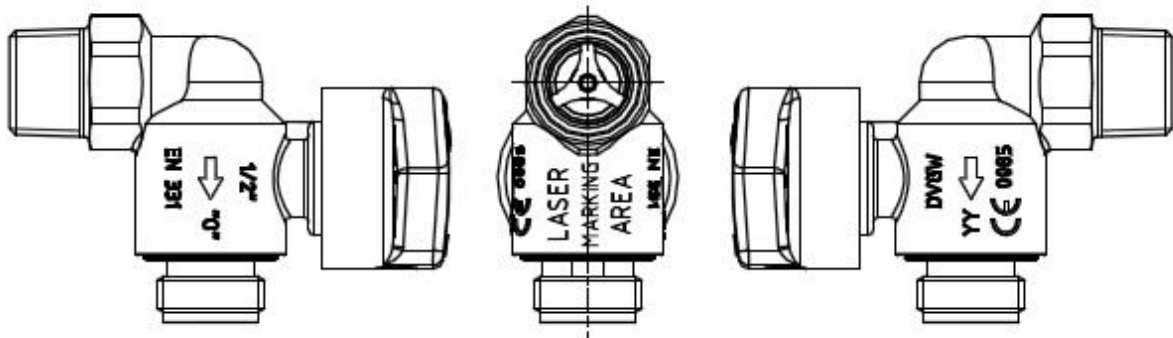
(Signature or equivalent authorized by the issuer)

MARKINGS LAYOUT

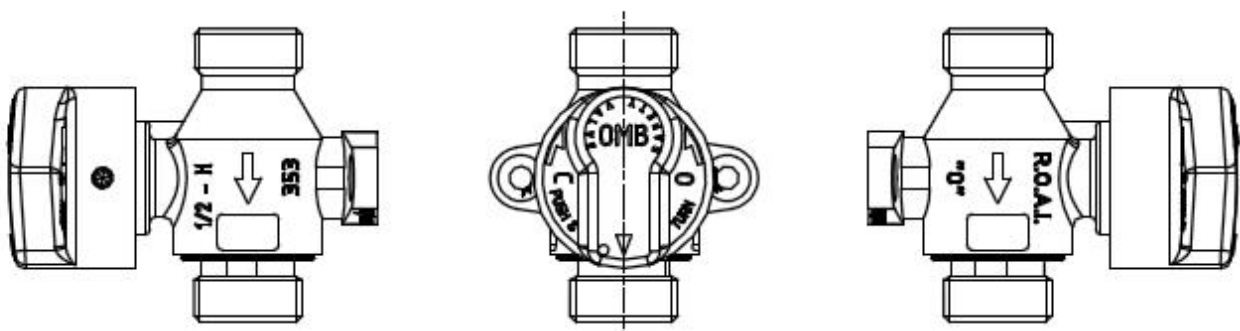
VAIT - VAI - VAT - VA right model



VAIT - VAI - VAT - VA angled model



ROAI right model



MARKINGS			
ID Name	Model No.	Permanent Marking	Laser Marking
VAIT	356	"0" - DVGW Flow direction Manufacturing Year CE mark & No.	MOP 0,1 C 0,1 Mod.356 GS1.6 Typ K DN15 H 15 bis 100 mbar
VAI	357	"0" - DVGW Flow direction Manufacturing Year CE mark & No.	MOP 0,1 Mod.357 GS1.6 Typ K DN15 H 15 bis 100 mbar
VAT	358	"0" - DVGW Flow direction Manufacturing Year CE mark & No.	MOP 5 C1 Mod.358 DN15
VA	359	"0" - DVGW Flow direction Manufacturing Year CE mark & No.	MOP 5 Mod.359 DN15
ROAI	352 353	"0" H Flow direction Model No.	(customer requests)

The same markings must be applied on every valve, where the drawing code begin with the first three number of the "Model No."

Permanent markings are embossed, on the valve body.
Laser markings are writed in the "laser marking area".

All markings must be readable and in compliance with the reference Standard.